

DESCRIPTION

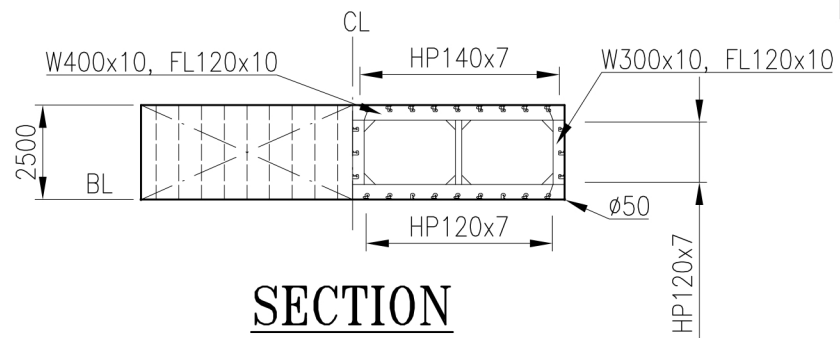
Drawing created, Ballast Capacity, Load Capacity, and, Deadweight scale added

Main Dimensions Corrected

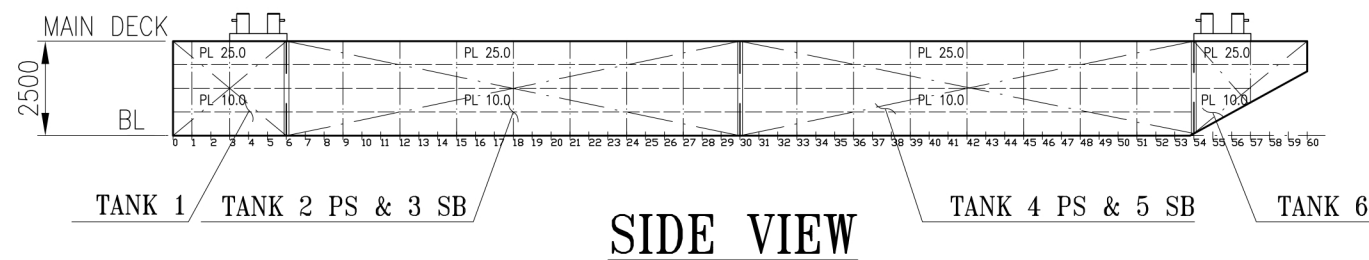
DATE DRAWN

2021-10-14 NSG

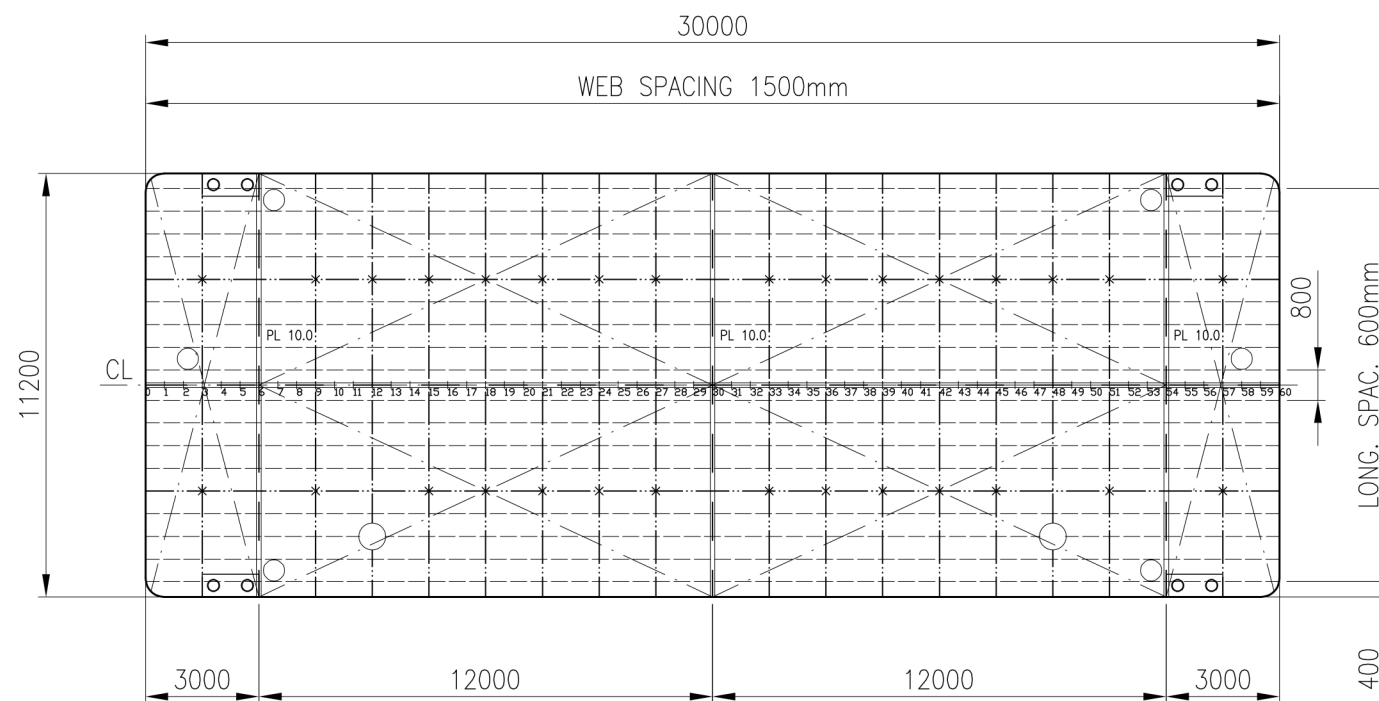
2021-12-13 NSG



SECTION



SIDE VIEW

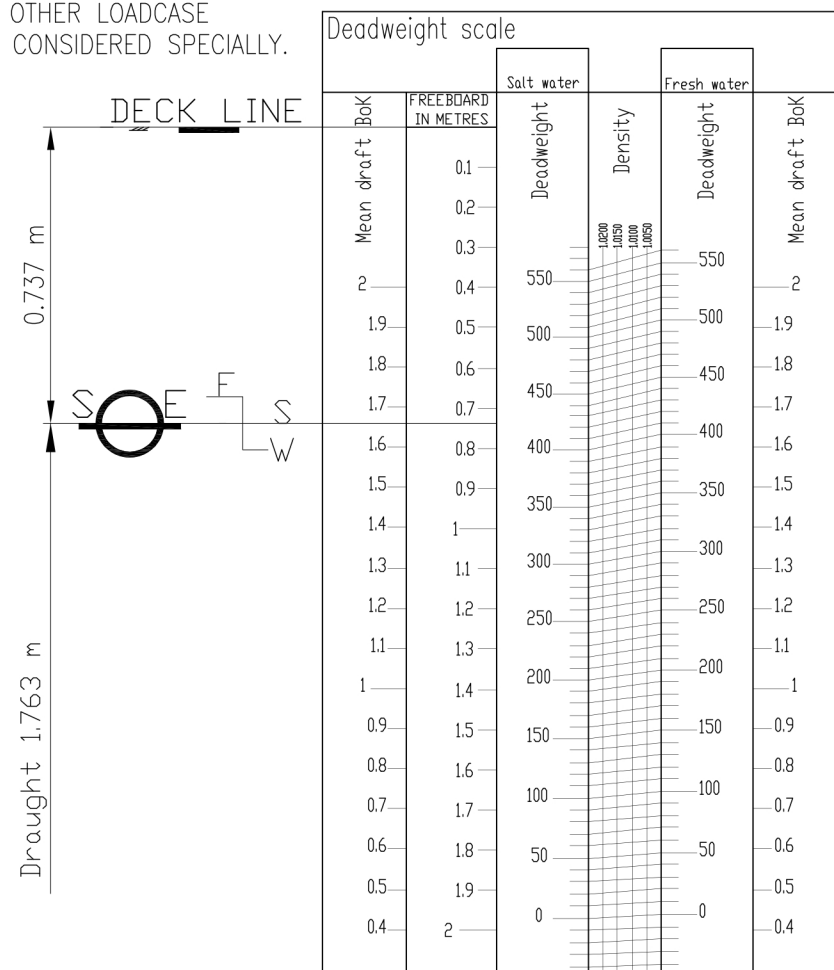


MAIN DECK

x PILLARS
PIPE Ø168.3x10

PERMISSIBLE LOADS		
LOAD CASE	MAX. PERM. LOAD	DIM. PART
ANYWHERE ON DECK #0-#6, #54-#60	8.6 TONNES /m2	LONGITUDINALS
ANYWHERE ON DECK #6-#54	10.9 TONNES /m2	LONG, WEB
EVEN DISTRIBUTION: TRV. WEB	19.8 TONNES /m.	PILLARS
EVEN DISTRIBUTION: BHD.	67.7 TONNES /m.	WELD
POINT LOAD: ON DECK BTW #6-#54	3.2 TONNES **	PLATE THICKN.
POINT LOAD: ELSEWHERE ON DECK	2.2 TONNES **	PLATE THICKN.
POINT LOAD: ANYWHERE ON WEB	26.1 TONNES **	WELD
POINT LOAD: ANYWHERE ON BULKHEAD	20.3 TONNES **	WELD
POINT LOAD: BULKHEAD/ WEB	46.4 TONNES **	WELD/PL.TH.
POINT LOAD: BULKHEAD/ BULKHEAD	40.6 TONNES **	PLATE THICKN.

** = ASSUMED PRINT: 300x300mm.
EVERY OTHER LOADCASE
TO BE CONSIDERED SPECIALLY.



MAIN DIMENSIONS:

LENGTH OVER ALL 30,00 m
BREADTH MOULDED 11,20 m
DEPTH MOULDED 2,5 m
GROSS 208 GT
NET 62 NT

CAPACITIES OF WATER BALLAST TANKS

TANK No.	VOLUME m3	LCG fr. L/2 m	VCG fr. BL m	TCG fr. CL m
1	89 m3	13.5	1.25	0.00
2	174.6 m3	6.04	1.25	-2.97
3	173.7 m3	6.02	1.25	2.97
4	168 m3	5.96	1.25	-2.86
5	167.2 m3	5.95	1.25	2.85
6	53.3 m3	13.24	1.62	0.00



Sandinge Bogsering & Sjötransport
Tel: +46 (0)523-66 07 45
E-mail: info@sandinge.com
www.sandinge.com

HULL NO: VERA	DATE: 2021-10-11	DATE: 2021-11-08	SCALE: 1:200
	DRAWN: NSG	CHECKED: AJK	FORMAT: A3
TITLE: VERA CAPACITY PLAN			
DWG NO. 22203-3-152-01	SHEET: 1	NO. OF SHEETS: 1	ISSUE: B