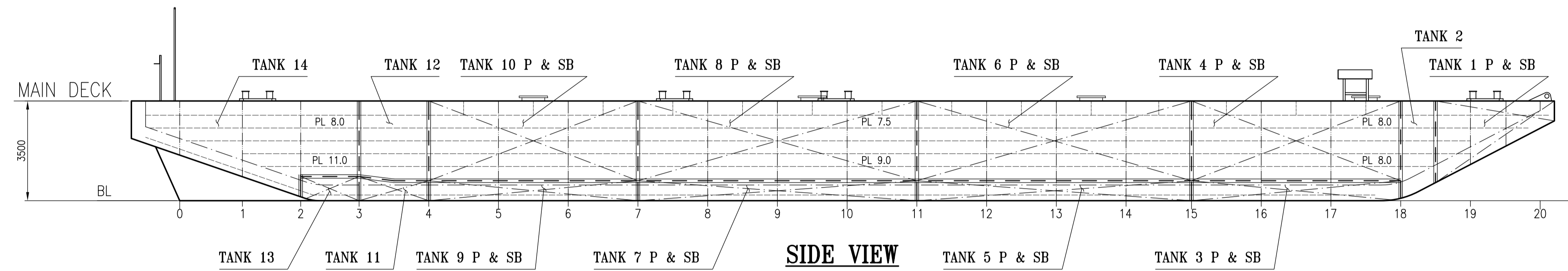
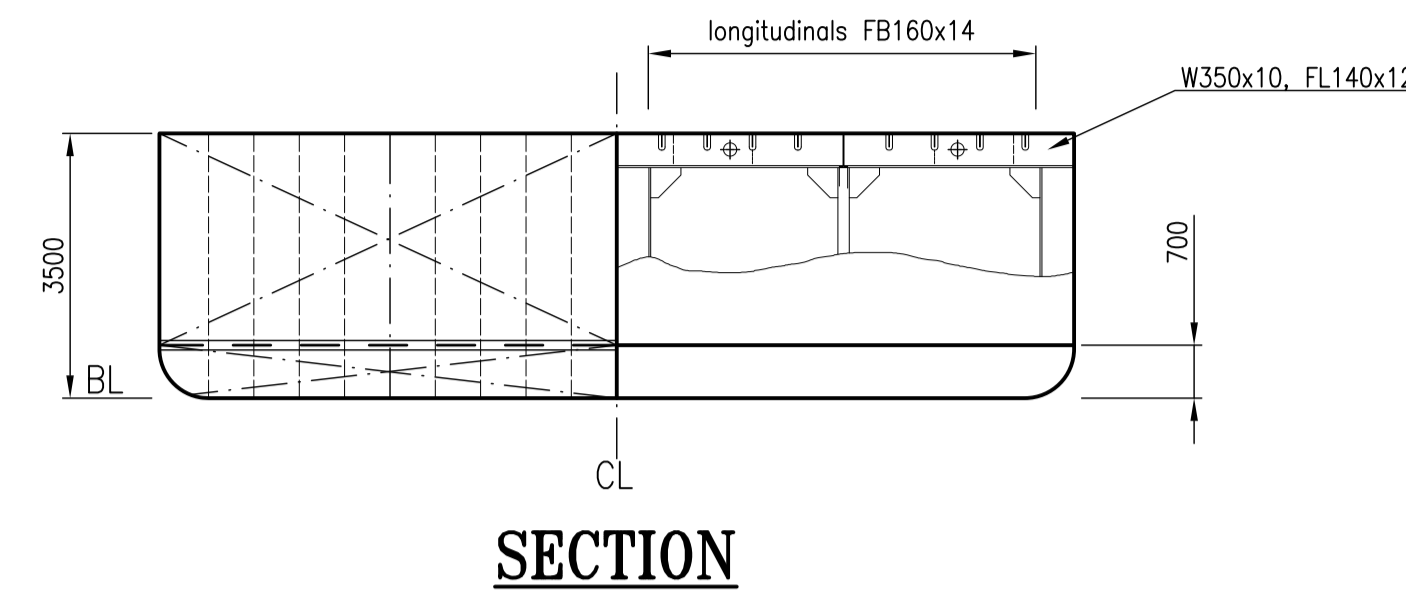


REV	DESCRIPTION	DATE	DRWN	DATE	CHKD
B	LOADING SCALE ADDED	OCT.2009	OJA		
C	POINT LOADS BHD & WEB CORRECTED	APR.2013	SJ		
D	NEW HOLES FOR SPUDS ADDED	AUG.2023	AK		



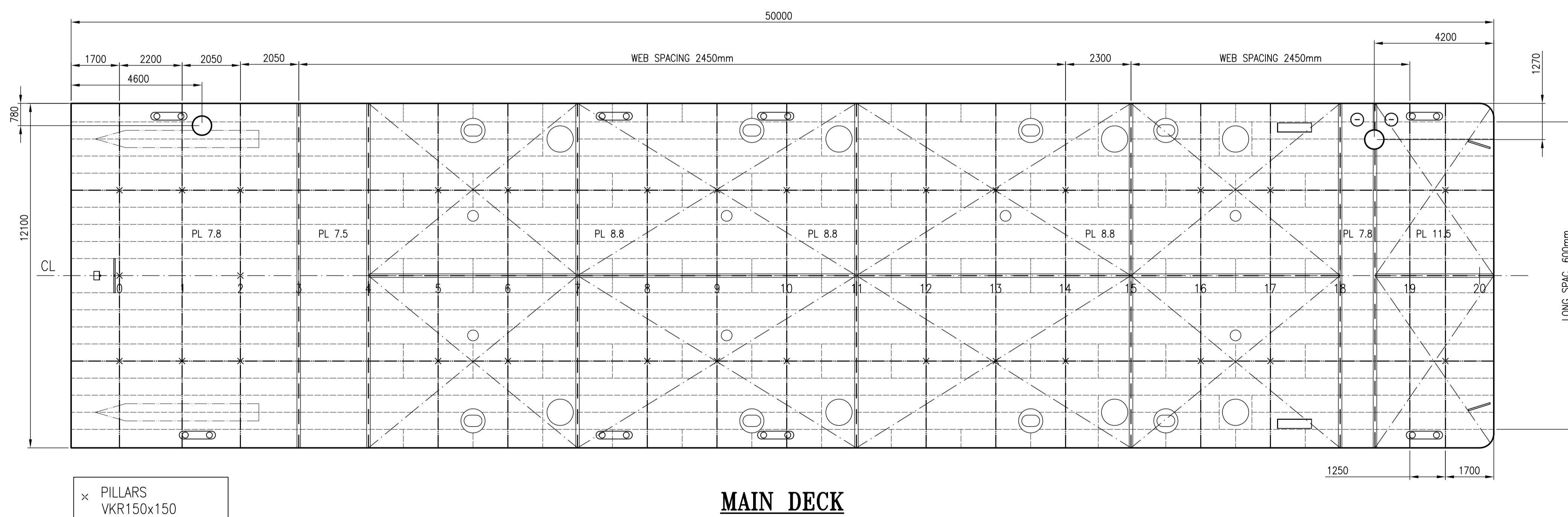
PERMISSIBLE LOADS		
LOAD CASE	MAX. PERM. LOAD	DIM. PART
ANYWHERE ON DECK #1-#4, #18-#20	4.5 TONNES /m2	PLATE THICKN.
ANYWHERE ON DECK #4-#18	5.4 TONNES /m2	LONGITUDINALS
EVEN DISTRIBUTION: TRV. WEB	13.3 TONNES /m.	BENDING, WEB
EVEN DISTRIBUTION: BHD.	72.9 TONNES /m.	WELD
POINT LOAD: ON DECK BTW #4-#18	3.0 TONNES **	PLATE THICKN.
POINT LOAD: ELSEWHERE ON DECK	2.5 TONNES **	PLATE THICKN.
POINT LOAD: ANYWHERE ON BULKHEAD	25.0 TONNES **	BENDING
POINT LOAD: BULKHEAD/ WEB	21.9 TONNES **	WELD
POINT LOAD: BULKHEAD/ BULKHEAD	48.1 TONNES **	WELD/PL. TH.
POINT LOAD: BULKHEAD/ BULKHEAD	43.7 TONNES **	PLATE THICKN.

** = ASSUMED PRINT: 300x300mm.
EVERY OTHER LOADCASE
TO BE CONSIDERED SPECIALLY.

CAPACITIES OF WATER BALLAST TANKS	
TANK No.	VOLUME m3
14	229.7 m3
13	20.0 m3
12	80.7 m3
11	21.2 m3
10 P & 10 SB	122.6 m3 EACH
9 P & 9 SB	30.1 m3 EACH
8 P & 8 SB	163.5 m3 EACH
7 P & 7 SB	40.2 m3 EACH
6 P & 6 SB	161.0 m3 EACH
5 P & 5 SB	39.6 m3 EACH
4 P & 4 SB	122.6 m3 EACH
3 P & 3 SB	30.0 m3 EACH
2	46.2 m3
1 P & 1 SB	44.0 m3 EACH


MAIN DIMENSIONS:

LENGTH OVER ALL	50,00 m
BREADTH MOULDED	12,10 m
DEPTH MOULDED	3,5 m
GROSS	540 GT
NET	162 NT



× PILLARS
VKR150x150

"KANALIA"
CALL SIGN: SKYH

 <p>Sandinge Bogsering & Sjötransport</p> <p>Skall Hedemans 165 SE-453 92 Lysekil Sweden</p> <p>Tel: +46 (0)623 66 07 45 Fax: +46 (0)623 66 07 22 E-mail: info@sandinge.com Web: www.sandinge.com</p>	YARD:	DATE: 2005-07-11	DATE: 2005-09-05	SCALE: 1:100 (A1)
	DRAWN: MKn/ MHO	CHECKED: PH	TITLE: KANALIA CAPACITY PLAN	
DWG. NO. 05137-152-01	SHEET: 1	NO. OF SHEETS: 1	ISSUE: D	